

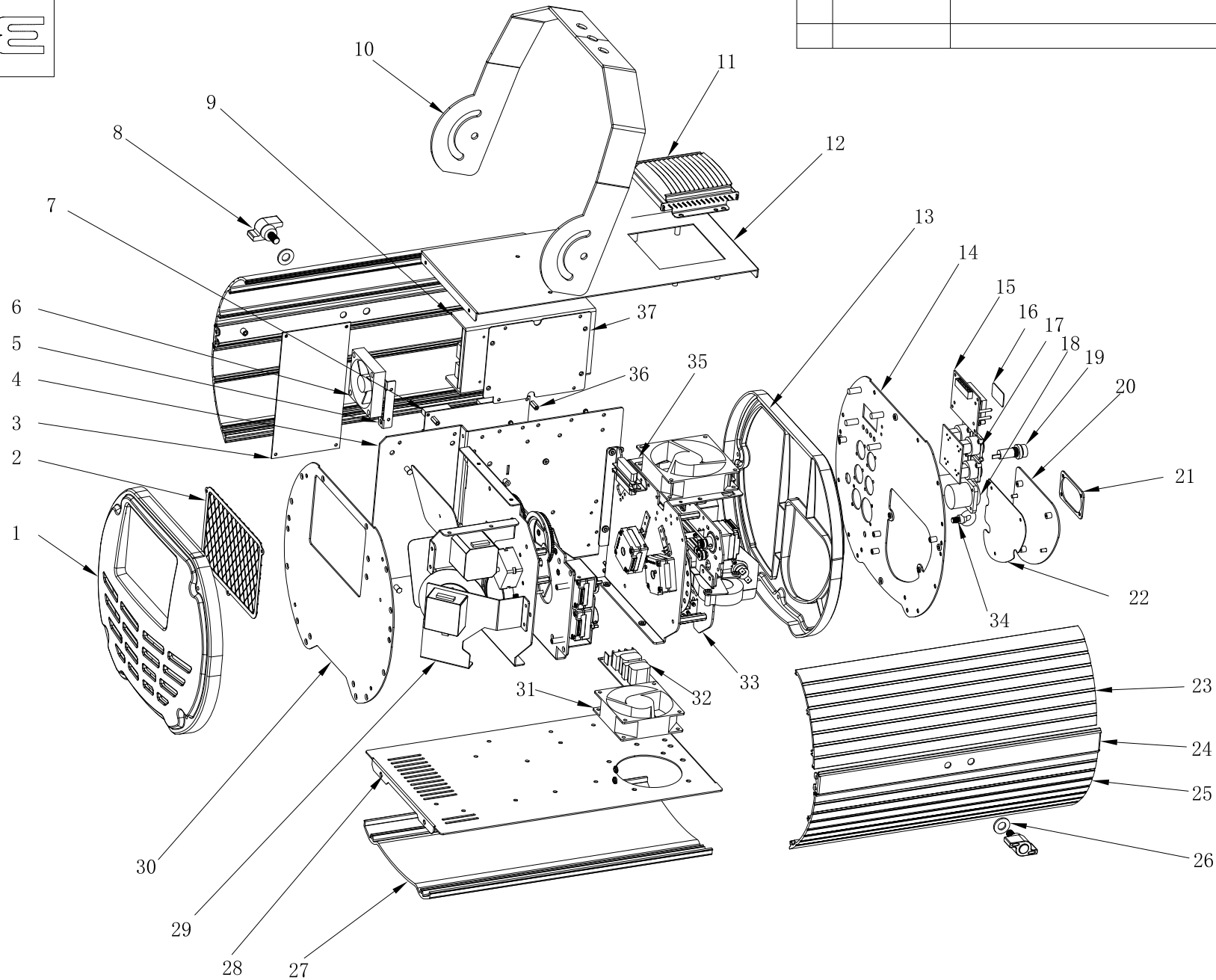
SERVICE MANUAL

Sniper Pro

- ◆ Exploded View
- ◆ Part List
- ◆ Circuit Diagrams
- ◆ Wiring Diagrams



NO.	Revise Area	Revised Content	Date



Original Controlled	Copy Controlled	Stamp	Item NO.	YF-BT-15002	Approval		Exploded Diagram	Edition	A		
			Item Name	ELA-LS14R	Verification		Parts NO.	Total Page:	1		
					Charting	何永明	2016-7-12	Drawing NO.	YF-BT-15002-BZT-01	Seq:	1
										Version	Ver1.1

		产品爆炸图零件清单 Part List		机型 Model	ELA-LS14R
				日期 Date	2016/7/12
				版次 Ver	A
序号 Seq.	物料编码 Part #	零件名称 (中文) Description - Chinese	零件名称 (英文) Description - English	备注 Remark	
1	3005002903	前盖	Front cover		
2	50426004201100	镜头网	Lens net		
3	2010204474	ELA-LS14R主板成品板	Main PCB		
4	50426004501100	镇流器固定板	Fixed plate for ballast		
5	50426002901100	60风机固定板	Fixed plate for fan		
6	3014001144	DC滚珠风扇 6015	DC rolling fan 6015		
7	3007015069	电子镇流器	Ballast		
8	3026013022	S形手柄	Hand shank		
9	2210009618	RUP590F380/28B302开关电源	RUP590F380/28B302 power supply		
10	50426004101100	吊架	Bracket		
11	50426003701100	散热座	Heat sink		
12	50426003201100	上盖板	Top cover		
13	3005002904	后盖	Back cover		
14	50426000801100	后板	Back plate		
15	2010143506	CH-200Z 显示板成品板	Display PCB		
16	3005000885	有机玻璃	Glass		
17	2010204726	(NEUTRIK)DMX三心五心转接板	Neutrik 3/5 pin DMX PCB		
18	3003000569	POWERCON插座(防水)	Waterproof Powercon socket		
19	3020000026	十字保险座	Cross fust socket		
20	50426000601100	后盖板	Back cover plate		
21	50426005001100	插座固定板	Fixed plate for socket		
22	50426000401100	隔热板	Insulation plate		
23	50426003301300	上盖拉铝	Upper side cover		
24	50426000701100	吊架固定板	Fixed plate for bracket		
25	50426003408100	下盖拉铝	Bottom side cover		
26	3005000026	大黑塑料垫片	Washer		
27	50426003508100	底盖拉铝	Bottom cover		
28	50426004701100	支撑板	Supporter plate		
29	/	镜片组件	Lens Assy, pls check Lens ASSY Part List		
30	50426004801100	前板	Front plate		
31	3014001184	DC滚珠风扇 9225	DC rolling fan 9225		
32	2010204039	AE-710BEAM抗干扰板成品板	Anti-interference PCB		
33	/	CMY组件	CMY Assy, pls check CMY Assy Part List		
34	3026013059	吊环螺丝	Screw		
35	50426002801100	92风机固定板	Fixed plate for 92 fan		
36	3002000981	塑胶铜柱	Plastic copper post		

		产品爆炸图零件清单 Part List		机型 Model	ELA-LS14R		
				日期 Date	2016/7/12		
				版次 Ver	A		
序号 Seq.	物料编码 Part #	零件名称 (中文) Description - Chinese	零件名称 (英文) Description - English	备注 Remark			
37	50426001901100	电源固定板	Fixed plate for power supply				
38							
39							
40							
41							
*	版本修改备注	1. 2.					
受控正本		受控副本		单位章		批准	
						审核	
						编制	何永明

YF-QR-R&D1-024-A

		产品爆炸图零件清单 (镜片组件) Part List for Lens ASSY		机型 Model	ELA-LS14R
				日期 Date	2016/7/12
				版次 Ver	A
序号 Seq.	物料编码 Part #	零件名称 (中文) Description - Chinese	零件名称 (英文) Description - English	备注 Remark	
1	50426002601100	反射镜电机固定板C	Fixed plate C for reflector motor		
2	3010000089	步进马达	Stepping motor for Z axis	Z轴	
3	2010204824	霍尔元件检测板2成品板	Senser PCB 2		
4	3005002374	镜片旋转轮(RoHS)	Rotation wheel for lens		
5	3030000007	3M双面贴纸	Sticker		
6	3016000175	镀铝反射镜-4	Aluminium mirror 4		
7	3016000173	镀铝反射镜-2	Aluminium mirror 3		
8	3016000174	镀铝反射镜-3	Aluminium mirror 2		
9	3002001696	镜片固定件(RoHS)	Bracket for lens		
10	3010000079	步进马达(RoHS)	Stepping motor for Pan/Tilt	X轴、Y轴	
11	50426001701100	反射镜电机固定板A	Fixed plate A for reflector motor		
12	3015000426	八棱镜(RoHS)	Eight facet lens		
13	3015000465	三棱镜(RoHS)	Three facet lens		
14	3015000476	梯形镜(RoHS)	Trapazoidal lens		
15	3022000250	棱镜皮带	Belt for prism		
16	3002000272	皮带轮	Wheel for belt		
17	3002002175	调焦滑块	Sliding plate for zooming		
18	3010000055	步进马达	Stepping motor for prism	棱镜	
19	3002002123	棱镜组件	Prism ASSY		
20	50426002201300	频闪片-1	Shutter 1		
21	3002002064	频闪法兰(RoHS)	Shutter flange		
22	50426002301300	频闪片-2	Shutter 2		
23	50426002101100	频闪电机固定板	Fixed plate for shutter motor		
24	3010000073	步进电机	Stepping motor for shutter	频闪	
25	50426002001100	棱镜电机固定板	Fixed plate for prism motor		
26	3021000153	磁钢	Magnetic steel for prism assy/ Z axis	棱镜组件、Z轴	
27	50426001001100	调焦滑竿固定板A	Fixed plate A for zooming slider		
28	50426001301100	调焦镜头固定板C	Fixed plate C for zooming slider		
29	3002001447	图案盘法兰	Flange for gobo wheel		
30	3002001259	连接柱	Connector		
31	3002002124	调焦滑杆	Slider for zoom		
32	3002002126	镜头套	Jacket for lens		
33	3015000190	胶合镜(RoHS)	Optical lens		
34	3010000087	步进马达	Stepping motor for zoom	调焦	
35	50426001601100	调焦组件固定板	Fixed plate for zoom assy		
36	50426001801100	反射镜电机固定板B	Fixed plate B for reflector motor		
37	2010204794	ELA-LS14R副板成品板	Vice PCB		
38	3021000055	磁钢	Magnetic steel for prism assy	棱镜组件	

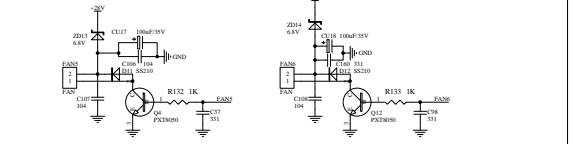
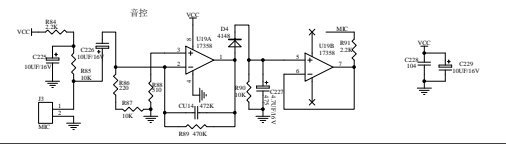
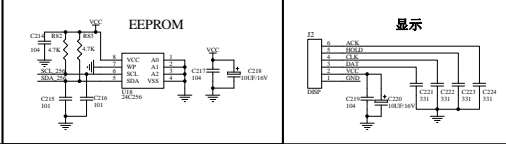
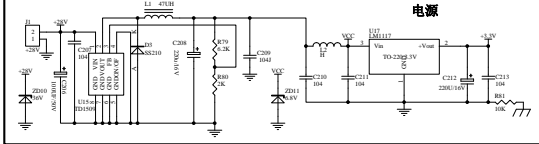
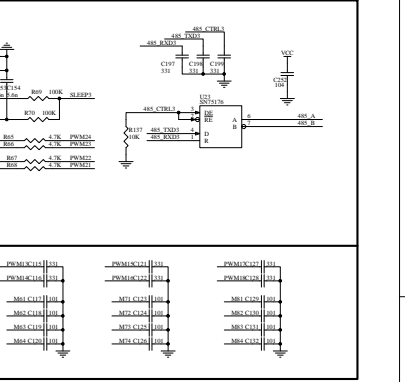
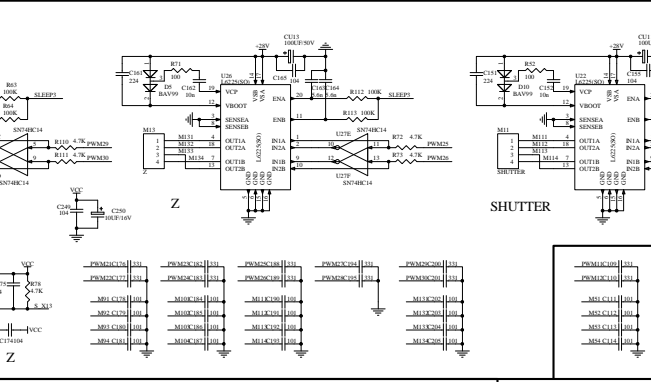
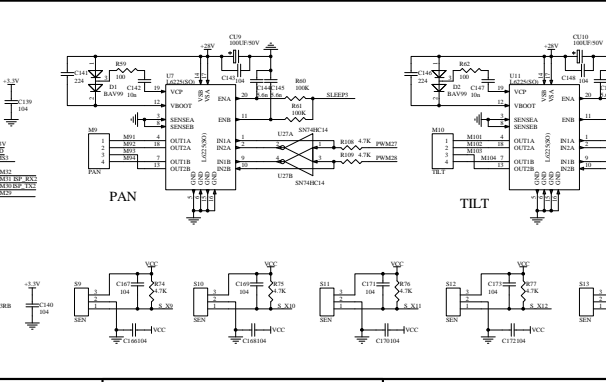
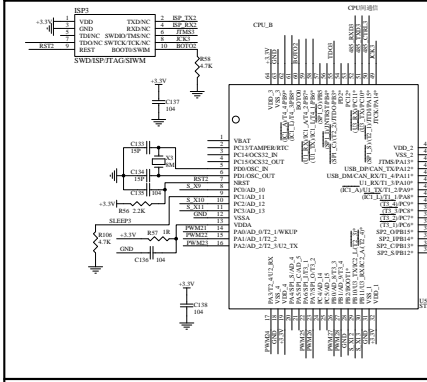
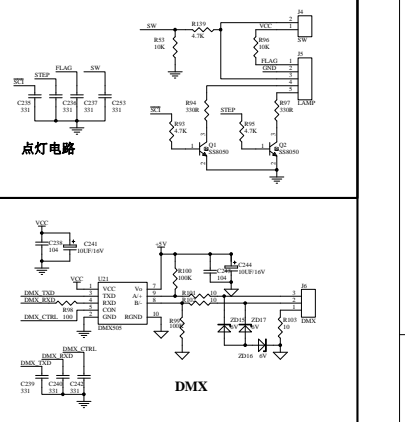
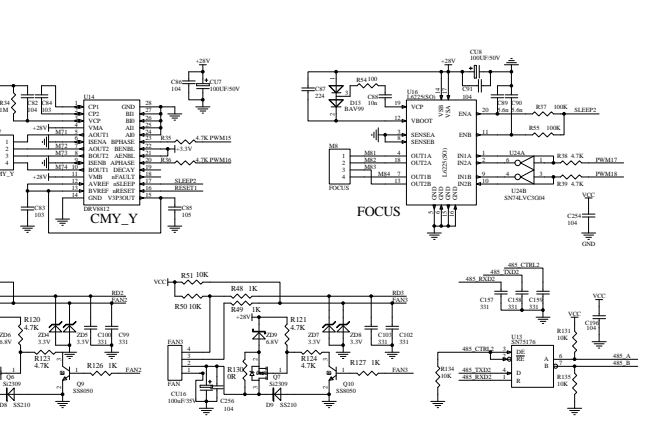
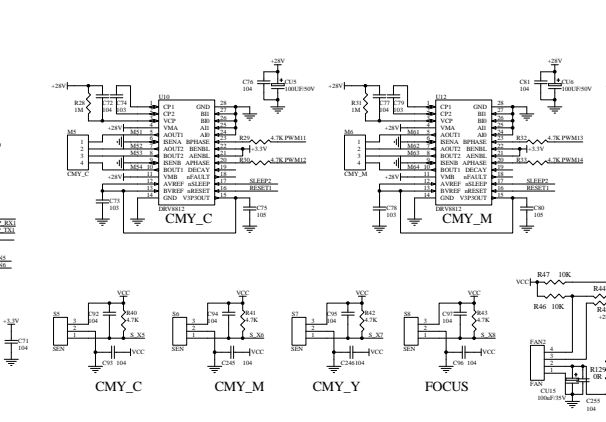
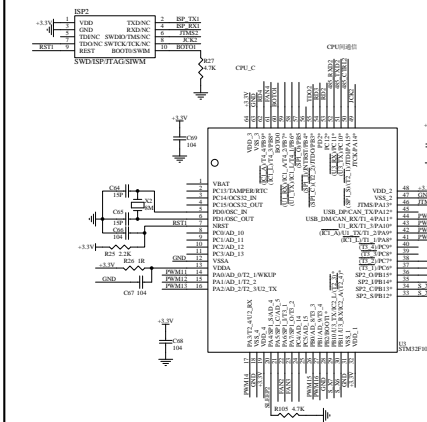
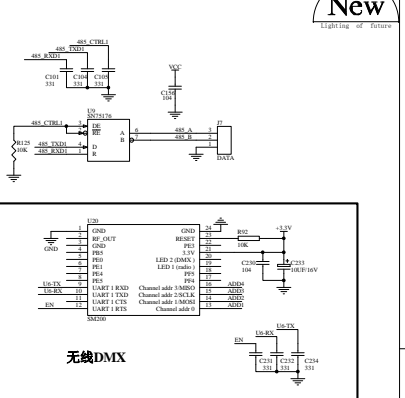
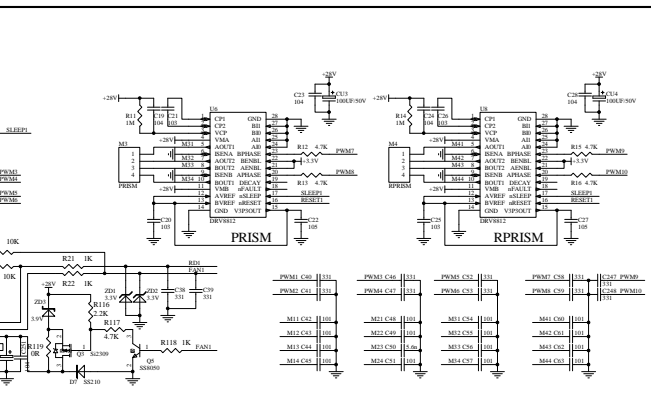
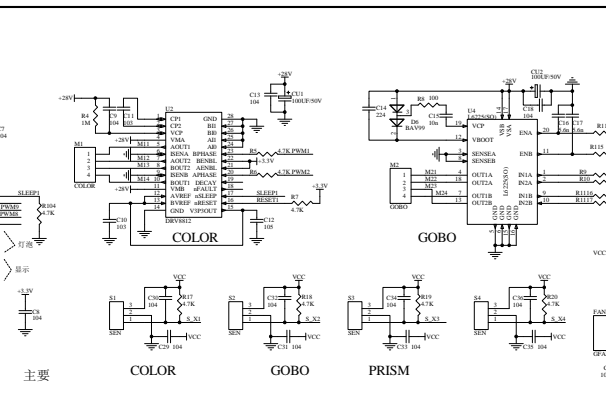
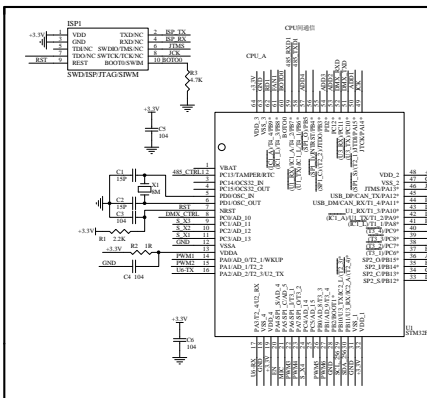
		产品爆炸图零件清单 (镜片组件) Part List for Lens ASSY		机型 Model	ELA-LS14R
				日期 Date	2016/7/12
				版次 Ver	A
序号 Seq.	物料编码 Part #	零件名称 (中文) Description - Chinese	零件名称 (英文) Description - English	备注 Remark	
*	版本修改备注	1. 2.			
受控正本		受控副本	单位章	批准	
				审核	
				编制	何永明

YF-QR-R&D1-024-A

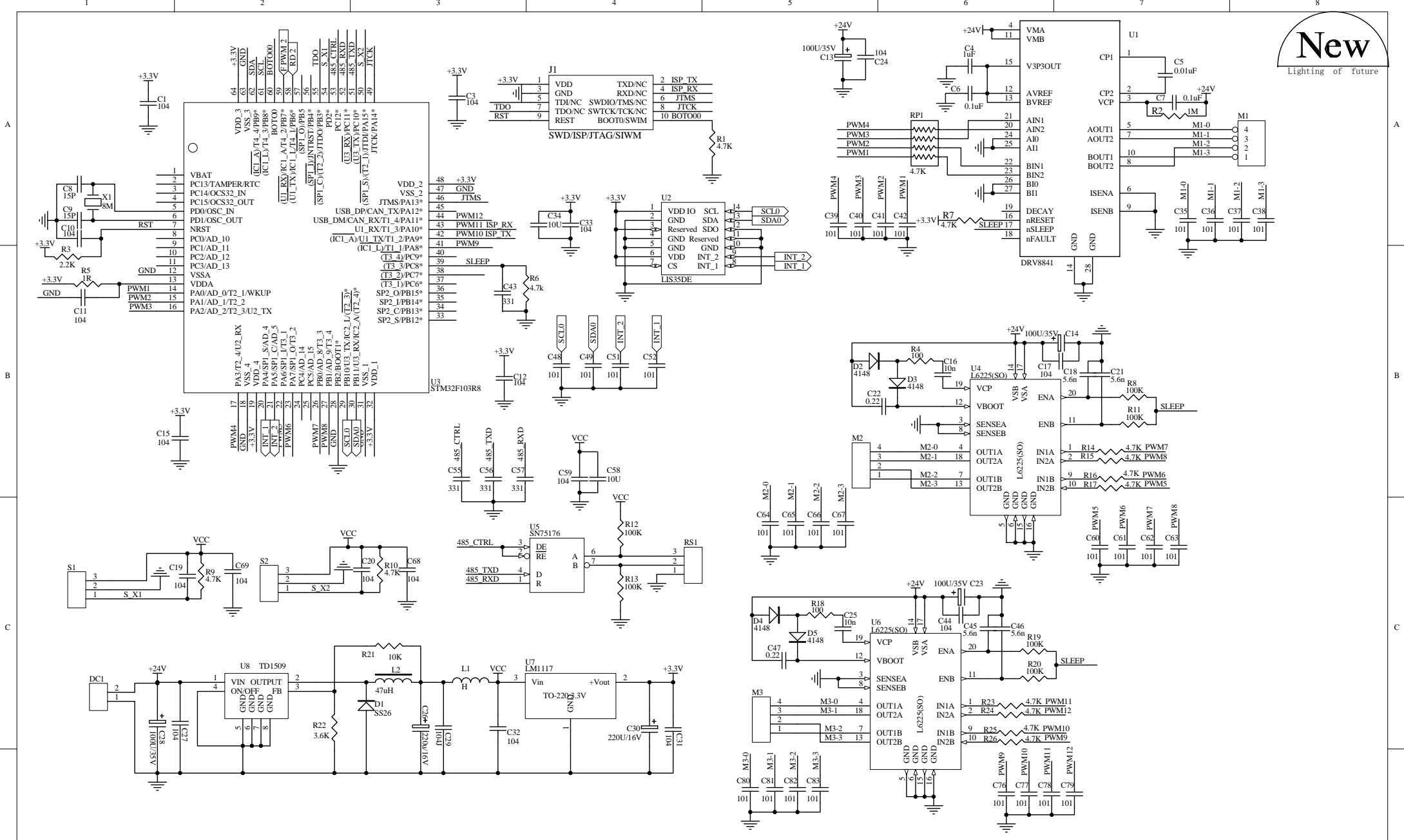
		产品爆炸图零件清单 (CMY组件) Part List for CMY ASSY		机型 Model	ELA-LS14R
				日期 Date	2016/7/12
				版次 Ver	A
序号 Seq.	物料编码 Part #	零件名称 (中文) Description - Chinese	零件名称 (英文) Description - English	备注 Remark	
1	3010000073	步进电机	Stepping motor tor gobo/color wheel	图案,颜色	
2	2010204837	霍尔元件检测板3成品板	Sensor PCB 3 for gobo/color wheel	图案,颜色	
3	50426002501100	图案电机固定板	Fixed plate for gobo motor		
4	63580936	ELA-LS14R 色盘组件(RoHS)	Color Wheel ASSY		
5	50312202401100	霍尔元件固定板	Fixed Plate for Sensor	图案盘、色盘、Y色片、M色片	
6	4042600490	色盘电机垫板	Base plate for color wheel motor		
7	50426004001100	灯泡组件固定板	Fixed Plate for Lamp ASSY		
8	4042600090	CMY固定板Y	Fixed Plate Y for CMY		
9	4042600120	CMY固定板M	Fixed Plate M for CMY		
10	4042600110	CMY固定板C	Fixed Plate C for CMY		
11	3002000855	皮带滑轮(RoHS)	Wheel for Belt		
12	3002000284	磁性定位柱	Position Post for Magnetic	C色片	
13	50426003901100	霍尔元件固定板2	Fixed Plate 2 for Sensor		
14	50426003001100	固定板	Fixed Plate		
15	3002001204	螺柱(RoHS)	Double-Screw Bolt		
16	3002001557	CMY主动轮	Driver Wheel for CMY		
17	3002001148	间隔柱	Spacer Support		
18	50426003801100	霍尔元件固定板	Fixed Plate for Sensor		
19	3010000051	步进马达	Stepping motor for CM color filter	CM色片	
20	3022000251	同步带(RoHS)	Belt		
21	50426001401100	CMY固定板下	Bottom Fixed Plate for CMY		
22	3010000070	步进马达	Stepping motor for Y color filter	Y色片	
23	50426002701100	导风板	Air deflector		
24	50426003101100	灯泡固定板	Fixed plate for lamp		
25	4042600020	灯泡压板	Spress plate for lamp		
26	50426000101100	灯泡调节板	Ajustment Plate for Lamp		
27	3002001426	离心螺丝(RoHS)	Screw		
28	50426004401100	灯泡风扇导风板	Air Deflector for Lamp Fan		
29	4042600460	灯泡挡光板	Light barrier for lamp		
30	3003000605	温度开关(RoHS)	Temperature switch		
31	50426000501100	涡轮风机固定板	Fixed plate for rolling fan		
32	50426000301100	温控开关固定板	Fixed plate for temperature switch		
33	3014001172	DFB5015 DC24V 0.1A涡轮风扇(RoHS)	DFB5015 DC24V 0.1A rolling fan	涡流风扇	
34	3018004169	灯泡	Lamp		
35	3002002110	连接柱	Connector		

		产品爆炸图零件清单 (CMY组件) Part List for CMY ASSY		机型 Model	ELA-LS14R		
				日期 Date	2016/7/12		
				版次 Ver	A		
序号 Seq.	物料编码 Part #	零件名称 (中文) Description - Chinese	零件名称 (英文) Description - English	备注 Remark			
36	50426001501100	CMY固定板上	Top fixed plate for CMY				
37	3002002125	CMY滑杆	Slider for CMY				
38	3002002127	支柱1	Supporter 1				
39	3027001856	镀膜色片 (C)	Color filter C				
40	3027001857	镀膜色片 (M)	Color filter M				
41	3027001858	镀膜色片 (Y)	Color filter Y				
42	3005001504	CMY滑杆套	Jacket for CMY sliding				
43	3027001469	高温隔热玻璃	Heat-protected glass				
44	3002001447	图案盘法兰	Flange for gobo wheel				
45	3011000724	图案盘	Gobo wheel				
46	3002002128	支柱2	Supporter 2				
47	3002002129	支柱3	Supporter 3				
48							
49							
*	版本修改备注	1. 2.					
受控正本		受控副本		单位章		批准	
						审核	
						编制	何永明

YF-QR-R&D1-024-A

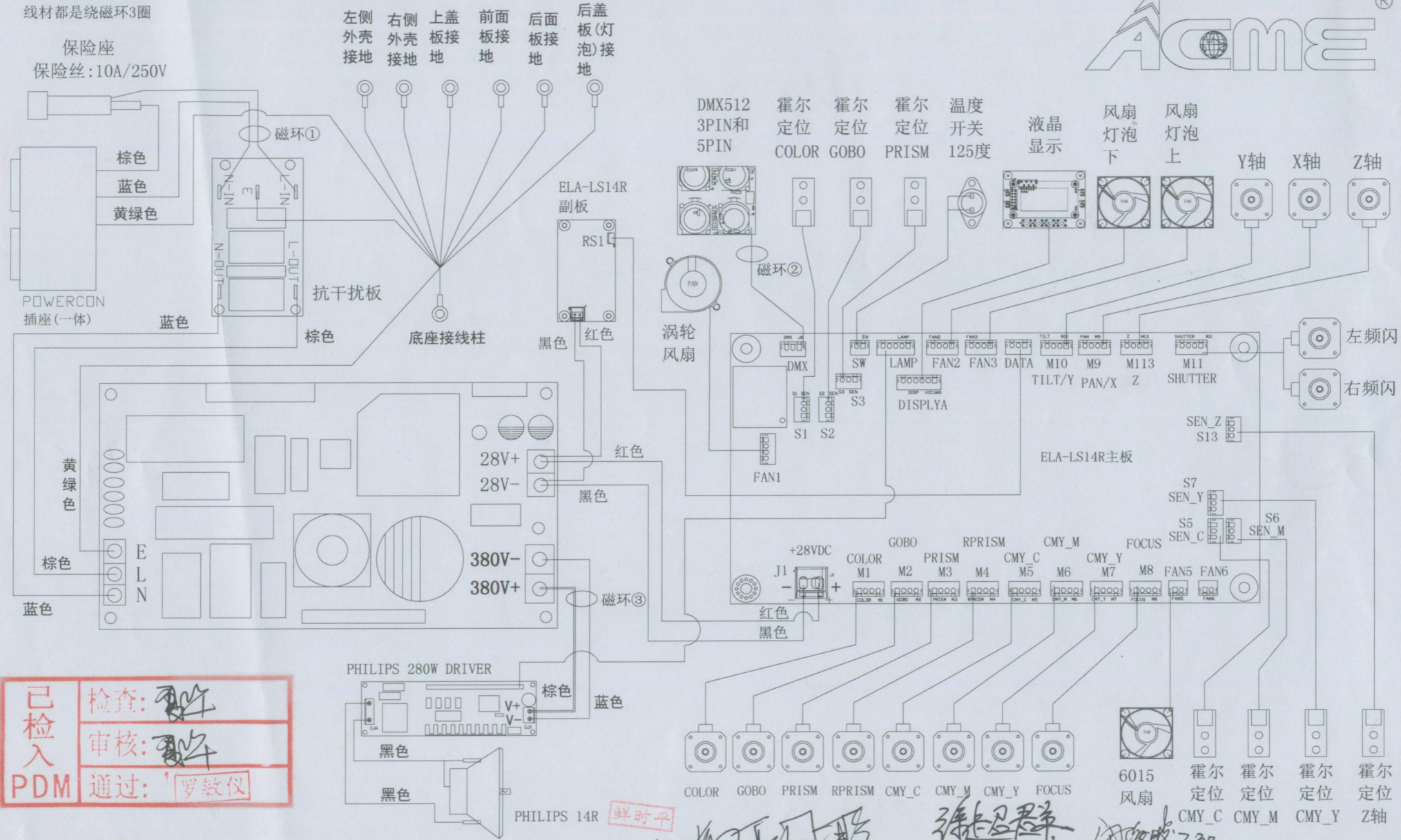


Original Controlled	Copy Controlled	Stamp	Acknowledgement:	Item Name:	311500839-04.PCB	Elucidation:
			Verification:	Material Code:	311500839	
			Confirm:	Edition:	A	
			Charting:	File Name:		
			Design:	Date:	2015.12.05	Page 1 Total 1
						File NO: Version:Ver 1.0



D	Original Controlled	Copy Controlled	Stamp	Acknowledgement:	Item Name:	3115000461-03.SCH		Elucidation
				Verification:	Material Code:	3115000461		
				Confirm:	Edition:	A		
				Charting:	File Name:			
				Design:	Tu Yong	Date:	2016.01.20	
								File NO: Version:Ver1.0

磁环①②③使用编码3109005002物料
线材都是绕磁环3圈



已检入
PDM
检查: [Signature]
审核: [Signature]
通过: 罗敏仪

Original Controlled:
受控正本
2016-08-04

Copy Controlled:

Stamp:
研发部专用章

Acknowledgement: [Signature]
Verification: [Signature]
Confirm: [Signature]
Charting: lvhongzhi
Design: lvhongzhi

Item Name: ELA-LS14R-JX
Material Code:
Edition: A
File Name: ELA-LS14R-JX
Deta: 2016.07.22

Elucidation:
Apply model:
Version: Ver.1.1
Document serial number: